

GRP Service Riser Grating



Captrad Ltd

Tel: 01695 280510
sales@captrad.com
www.captrad.com

GRP Riser Grating

Captrad Composites produce and supply high quality fibreglass (GRP) safety products to a large variety of industries.

All our GRP Service Riser Grating have an anti slip top surface to help provide an excellent slip resistant for all personnel on site.

All products are manufactured to the highest standards of quality and follow stringent ISO 9001 guide lines. Standard GRP Grating are produced to BS476 Part 7:1997 C2, other levels are available upon request.

Captrad are able to offer and assist with the implementation of GRP Riser Systems, we can also supply GRP Structural Supports where necessary. All of which can be cut prior to supply or cut on site with ease.

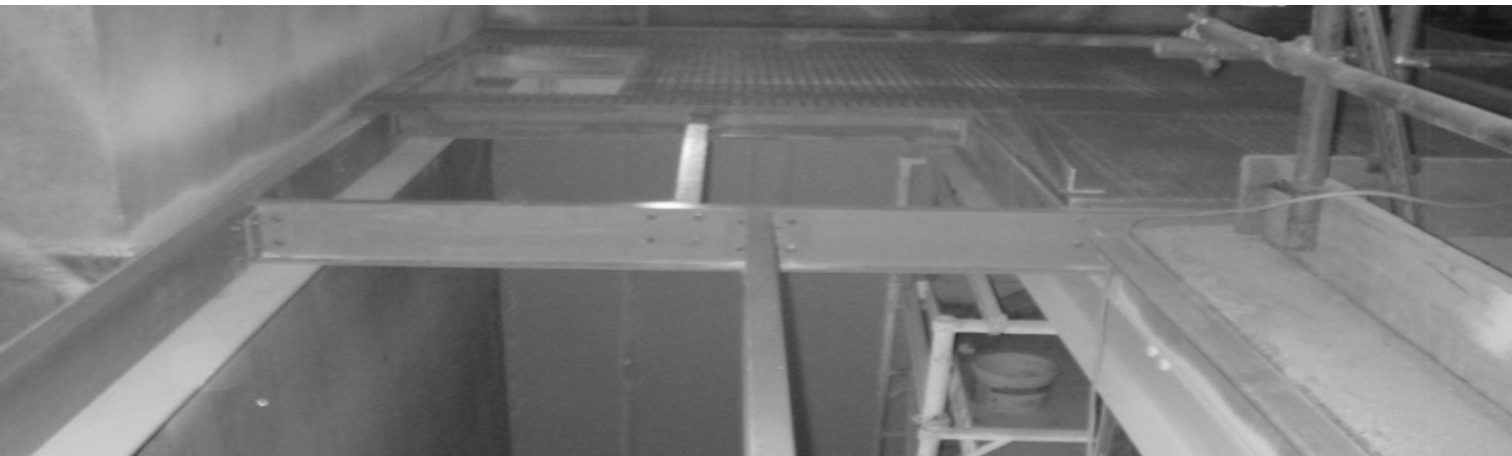
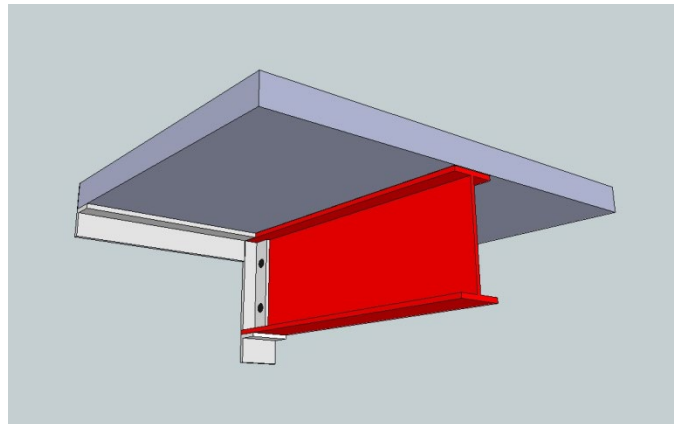


GRP Riser Grating



GRP Grating supplied from Captrad offer a bespoke system for covering open service risers whether it's a retro fit or new build. All our products are produced from fibreglass which offer excellent benefits over traditional materials. GRP Grating and profiles are lightweight, robust and non sparking and can easily be installed on site. Virtually any service opening size can be catered for with a wide selection of different panel sizes that can be joined together to cover the area. Captrad offer a fabrication service which allows our customers to provide a cutting list and in return we supply ready to fit panels and supports.

Working on site – GRP Riser grating are easily adaptable and can be cut on site to accommodate any changes in the schematics of pipe work. Making it a great product to work with and allowing the installer to add any additional supports as and where needed.



GRP Riser Grating - Installation

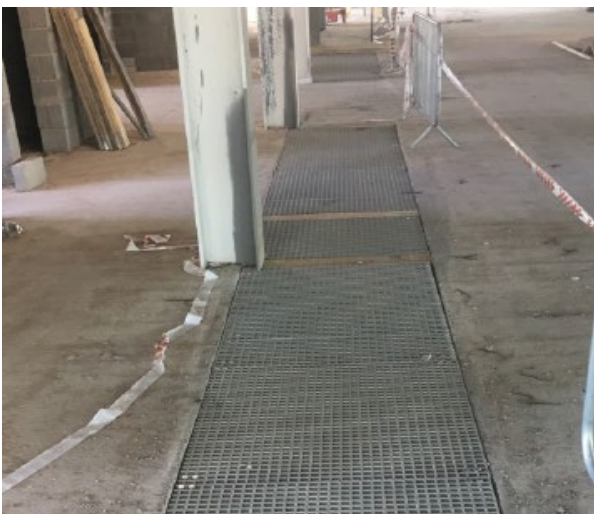


GRP Riser Supports

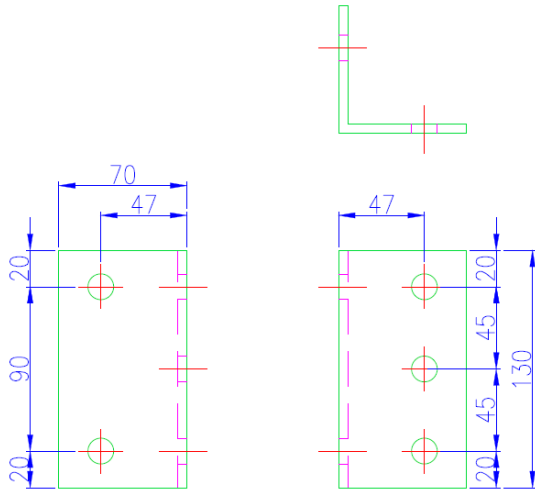
1. We typically install a perimeter angle using heavy duty concrete anchors if a rebated edge is omitted
2. For larger risers additional support will be required such as grp I beams. These are inserted using pre-drilled metal cleats. Again heavy duty concrete anchors are used and the cleat is inserted into the web of the I-beam.
3. Generally riser supports are installed from below using a mobile scaffold tower.

GRP Riser Grating

1. The grp grating can be supplied cut to size or in full sheets and cut on site using standard power tools with sharp blades.
2. The GRP Grating is laid over the grp supports and using the stainless steel clips bolted into place



GRP Riser Grating - Installation

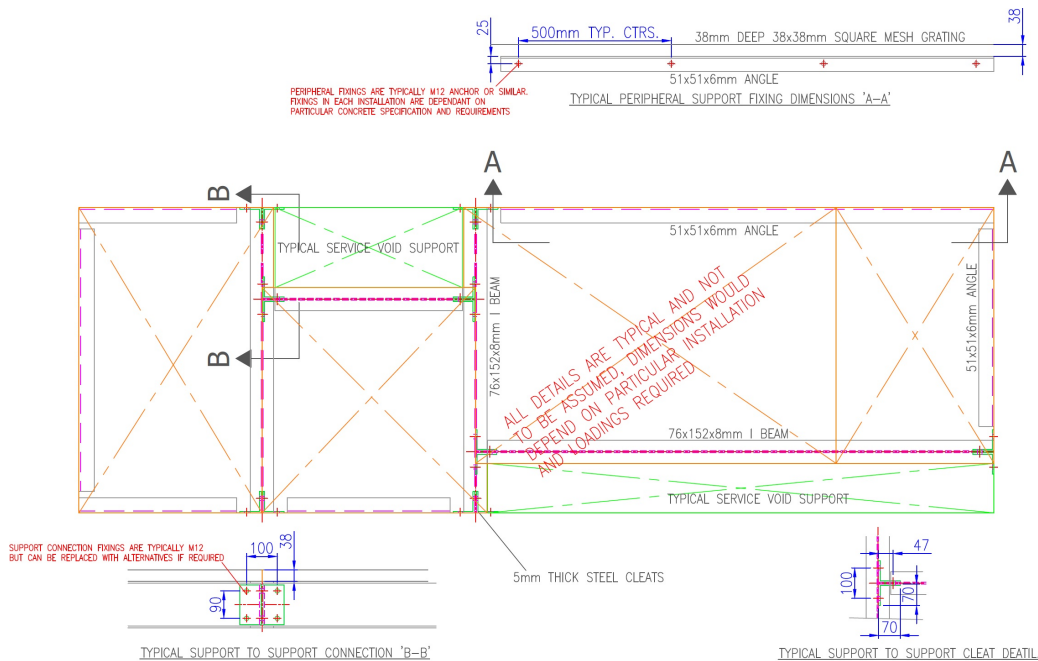


OFF CLEATS.
70x70x5mm STEEL ANGLE.
14mm DIA. HOLES.



Metal Angle Cleats

The cleats are pre drilled and we use the metal cleats to insert the GRP I beams supports. These are bolted in to place in the web of the beam and to the wall of the riser. An example of a riser layout is presented below with supports.



001	00.00.00	ISSUED FOR APPROVAL	AM	
REV	DATE	DESCRIPTION	DRN	CHK'D
CONTRACT No.		CLIENT CONT. No.		
TITLE			DRAWN	#1
TYPICAL RISER SUPPORT			CHK'D	00.00.17
			DATE	
			DATE	
			SCALE	n.t.s
			REV	CD1

GRP Riser Grating



GRP Riser Grating are very easy to install. They are usually dropped onto the surround concrete rebated edge, this is usually on all four sides of the riser. If a ledge hasn't been cast into the concrete we can offer grp support angles to be installed on the perimeter of the riser. This give the riser grating something to sit on and stops the riser moving.

Depending upon the size of the riser opening will depend on whether additional supports are required, these are achieved by insert either I beams or C-Channels as the major supports and bolting them together with additional cleats, thus creating a sturdy frame work. This also works well for when penetrations need cutting our of the grating for services.

The added benefit of using GRP in service Risers is that not Hot Work Permits are required as it non metallic
Guide line Load Table Below

Concentrate Line Load (Kg/M) -- Deflection in MM					
Span (mm)	Type	150	300	600	750
610	25x38x38	1.68	3.55	6.71	8.2
	38x38x38	0.67	1.19	2.5	3.08
	50x50x50	0.5	0.82	1.77	3.35
	25x25x100	1.7	3.48	6.9	8.65
914	25x38x38	5.89	12.15	---	---
	38x38x38	1.79	3.65	7.39	9.31
	50x50x50	1.1	2.22	5.18	10.1
	25x25x100	4.75	8.9	16.52	20.65
1219	25x38x38	11.65	---	---	---
	38x38x38	4.8	9.71	19.62	---
	50x50x50	1.95	3.97	9.99	---
	25x25x100	---	---	---	---

Uniform Load (Kg/M ²) -- Deflection in MM					
Span (mm)	Type	500	1000	2000	3500
610	25x38x38	2.15	4.25	8.3	14.58
	38x38x38	0.83	1.59	3.14	5.48
	50x50x50	0.6	0.99	1.79	3.93
	25x25x100	1.9	3.77	7.5	---
914	25x38x38	11.33	22.23	---	---
	38x38x38	3.53	7.12	14.19	---
	50x50x50	2.16	4.03	7.77	17.66
	25x25x100	6.75	12.69	24.85	---
1219	25x38x38	---	---	---	---
	38x38x38	12.34	25.09	---	---
	50x50x50	5.04	10.19	20.11	---
	25x25x100	---	---	---	---

GRP Grating Colour Options



GRP Grating Weights

Thickness	Weight Kg/m ²
25mm	12.1
38mm	18.0
50mm	23.0